

# SAVE MONEY • SAVE WATER • DETECT TOILET LEAKS

Stop the drain on your dollars! Toilet tank leaks, almost undetectable to the naked eye, can add \$25 or more to your monthly water bill.

**Free Leak Detection Tablets Available At Newnan Utilities Lobby • 70 Sewell Road**

## LEAK TEST

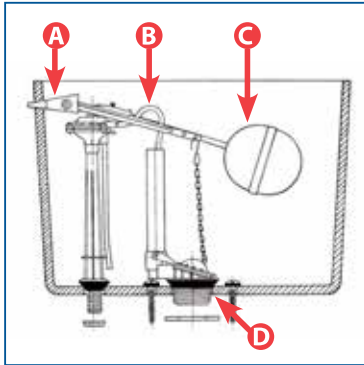


- 1** Wait 5-10 minutes after the last flush to perform the leak test.
- 2** Remove tank cover. Gently drop one leak detection tablet into the tank. **DO NOT FLUSH.**
- 3** Wait 15-20 minutes.
- 4** If blue dye color appears in the bowl, you have a leak. Don't worry, it won't stain the bowl.

See other side for possible source of leak 

**Free Leak Detection Tablets Available At Newnan Utilities Lobby • 70 Sewell Road**

## POSSIBLE SOURCE OF LEAK



- A** The flushing arm and lift chain are not working properly.
- B** The water level in the tank is too high and spills into the overflow tube.
- C** The float rod, ballcock and/or float ball are corroded.
- D** The flapper valve and valve seat have deteriorated or corroded.

*Replacement parts are available at hardware and plumbing supply stores, or consult a local plumbing professional.*

See other side for leak test instructions 